

# BA-5390A/U

## Technical Datasheet



### Features

- State of Charge Indication to fully utilize battery capacity. 5 distinct ranges from 90% to 10%
- Dual modes: 15V or 30V
- High energy density
- No voltage delay
- Wide operating temperature range
- Lightweight
- Up to 10-year shelf life
- Long operating life: 50 - 100% more runtime than BA-5590/U
- Safe: non-pressurized system, hermetic Ni-plated steel cans
- CDD indication displays when battery is ready for disposal

### Applications

- Alternative for BA-5590/U Li-SO<sub>2</sub> (NSN: 6135-01-036-3495) battery
- AN/PRC-117G, AN/PRC-117F, AN/PRC-119, AN/PSC-5D
- Javelin Medium Anti-Tank CLU
- More than 50 other military applications

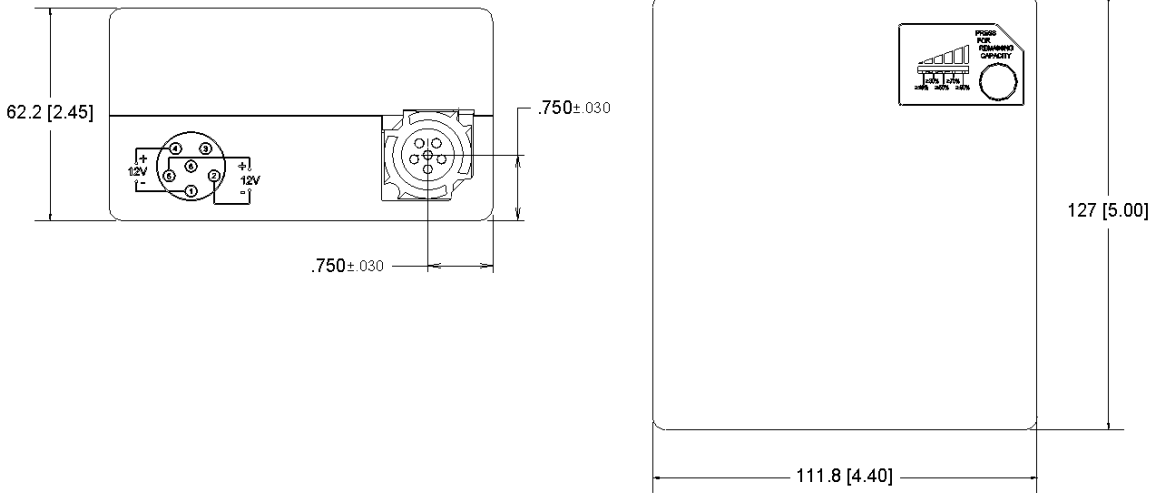
### Optional Cables

- CA0006: 24V, 2 conductor cable
- CA0007: 12V, 2 conductor cable
- CA0008: 24/12V, 4 conductor cable

### Technical Specifications

<b>Part No.</b>	UB0023
<b>NSN</b>	6135-01-517-6060
<b>Voltage Range</b>	30V Mode: 33.0V max, 20.0V final 15V Mode: 16.5 max, 10.0V final
<b>Average Voltage</b>	30V Mode: 27.0 Volts 15V Mode: 13.5 Volts
<b>Capacity</b>	30V Mode: 11.1Ah @ 250mA to 20V @ 23°C 15V Mode: 22.2Ah @ 250mA to 10V @ 23°C
<b>Max. Discharge</b>	30V Mode: 2.0A continuous 15V Mode: 4.0A continuous
<b>Max. Pulse Capability</b>	30V Mode: 2.5A continuous 15V Mode: 5.0A continuous
<b>Weight</b>	~1330g
<b>Operating Temperature</b>	-30°C to 72°C
<b>Storage Temperature</b>	-40°C to 90°C
<b>Exterior/Housing</b>	Grey hard plastic case
<b>Terminals/Connector</b>	Connector SC-C-179492
<b>State of Charge Indicator</b>	5 segment LED with push-button activation
<b>Complete Discharge Device (CDD)</b>	LED notification of complete discharge, indication for disposal
<b>Safety</b>	Material Safety Datasheet - MSDS030 Safety Guide UBM-5135
<b>Transportation</b>	Class 9 - U.S. and International (see note)
<b>Harmonized Tariff Schedule</b>	8506.50.0000
<b>Note</b>	A complete description of transportation regulations, lithium weights and transportation classifications is available on the Ultralife website.

# Dimensions



# Performance Graphs

